



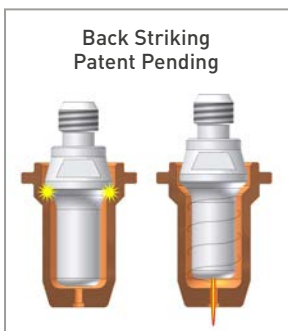
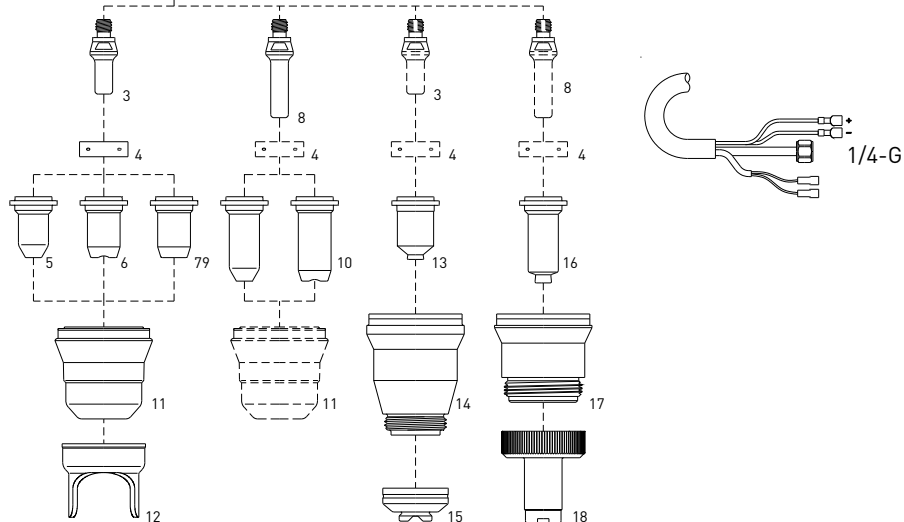
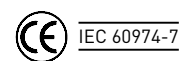
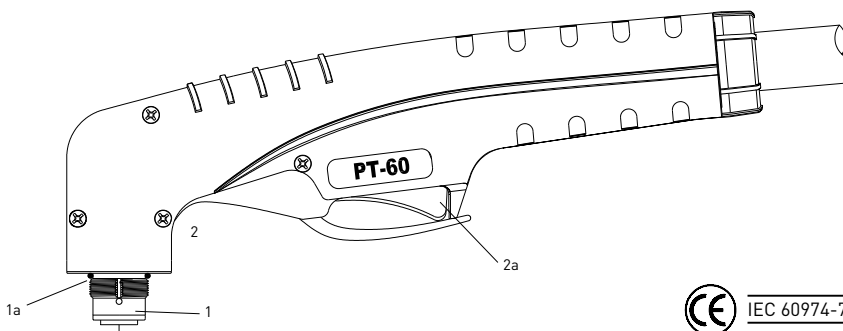
# PT-60

## MONOGAS

### AIRE o N<sub>2</sub>

|              |                           |
|--------------|---------------------------|
| Current      | 10-60 Amps                |
| Duty Cycle   | 60 Amps 80%               |
| Gas          | Air/N2                    |
| Gas Pressure | 65-75 psi (4.4-5.0 bar)   |
| Gas Flow     | 320 scfh (150 lpm)        |
| Pilot        | Electrode to Tip (18-22A) |
| Ignition     | Without HF                |

Para la operación correcta, utilice:  
Válvula solenoide de 3 vías, orificio interior  
2.3-2.7mm - (0.090-0.106 pulgadas)



## PIEZAS DE REPUESTO

| ITEM                         | REFERENCIA  | DESCRIPCIÓN  |
|------------------------------|-------------|--|
| <b>PIEZAS DE LA ANTORCHA</b> |             |  |
| 1                            | CS09603     | PT-60 Hand Torch Head  |
| 1a                           | CS51620.60  | O-Ring   |
| 2                            | CS09605     | Handle with Switch   |
| 2a                           | CS07301.20  | Switch   |
| 3                            | CS52582     | Electrode, Back Striking                                     |
| 4                            | CS60028     | Swirl ring   |
| 5                            | CS51318.06  | Tip, Contact Cutting, ø 0.65, 10-20A, Back Striking          |
|                              | CS51318.08  | Tip, Contact Cutting, ø 0.8, 20-30A, Back Striking           |
|                              | CS51318.09  | Tip, Contact Cutting, ø 0.9, 30-40A, Back Striking           |
| 6                            | CS51312P.09 | Tip, Contact Cutting, ø 0.9, 30-40A, Back Striking           |
| 7                            | CS51313P.10 | Flat Tip, Cutting, ø 1.0, 40-50A, Back Striking              |
|                              | CS51313P.11 | Flat Tip, Cutting, ø 1.1, 50-60A, Back Striking              |
| 8                            | CS52583     | Extended Electrode, Back Striking                            |
| 9                            | CS51318L.06 | Extended Tip, Contact Cutting, ø 0.65, 10-20A, Back Striking |
|                              | CS51318L.08 | Extended Tip, Contact Cutting, ø 0.8, 20-30A, Back Striking  |
| 10                           | CS51314.09  | Extended Tip, Contact Cutting, ø 0.9, 30-40A, Back Striking  |
| 11                           | CS60389     | Retaining Cap, 6 holes                                       |
|                              | CS60389S    | Retaining Cap, 6 holes, Maximum Life                         |
| 12                           | CS60432     | Double Pointed Spacer (for use with item 5 and 7 only)       |
| N/S                          | CS60368     | Wrench for electrode   |

| REFERENCIA                | DESCRIPCIÓN   |
|---------------------------|---|
| <b>ANTORCHAS Y CABLES</b> |   |
| CS09638CX                 | PT-60 Hand Torch, 6m (20 ft) Leads, Coaxial Cable           |
| CS09688CX                 | PT-60 Lead Assembly, Hand, 6m (20 ft) Length, Coaxial Cable |

| ITEM              | REFERENCIA   | DESCRIPCIÓN                                      |
|-------------------|--------------|--|
| <b>ACCESORIOS</b> |              |  |
| 13                | CS51318C.09  | Contact Tip, ø 0.9, 30-40A, Back Striking        |
|                   | CS51318C.10  | Contact Tip, ø 1.0, 40-50A, Back Striking        |
|                   | CS51318C.11  | Contact Tip, ø 1.1, 50-60A, Back Striking        |
| 14                | CS60389C     | Shield Cup Body                                  |
| 15                | CS60485      | Shield Cap, Hand                                 |
| 16                | CS51318LC.09 | Extended Shielded Tip, ø 0.9, 40A, Back Striking |
|                   | CS51318LC.10 | Extended Shielded Tip, ø 1.0, 50A, Back Striking |
|                   | CS51318LC.11 | Extended Shielded Tip, ø 1.1, 60A, Back Striking |
| 17                | CS60389LC    | Shield Cup Body                                  |
| 18                | CS60512L     | Extended Shield Cap 40-60A                       |
| N/S               | CS51866      | Circle Cutting Attachment                        |

Antorchas con cables de diferentes cubiertas y conector central disponible bajo petición.

